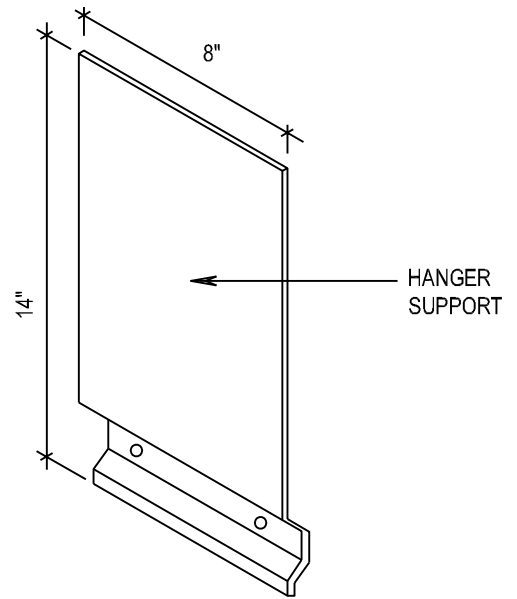
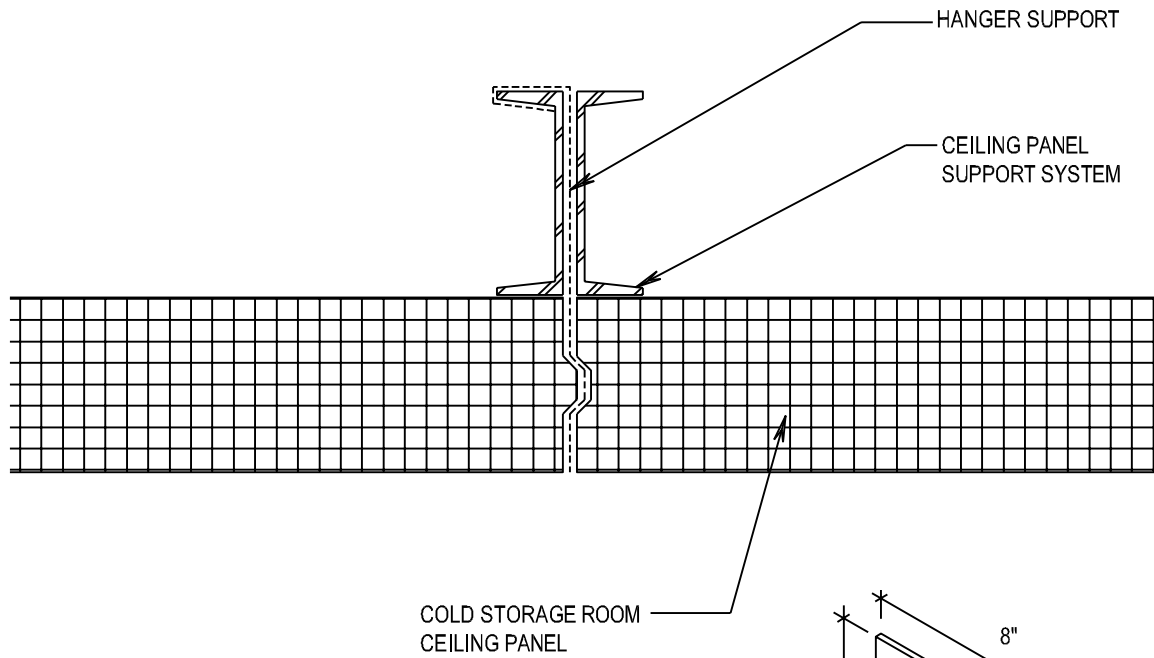


NOTE: BREAK HANGER
SUPPORT OVER & UNDER
FOR SECURING CEILING
PANELS.



TOP PANEL DESIGN LOADS

LIVE LOAD	10 LBS. PER SQ. FT.
DEAD LOAD	4 LBS. PER SQ. FT.
DEFLECTION	L/180

MAXIMUM COOLER PANEL LENGTH 12'

DATE	DEFENSE COMMISSARY AGENCY DIRECTORATE OF ENGINEERING FORT LEE, VIRGINIA - LACKLAND AFB, TEXAS		DESIGN STANDARD
JUN 2022	TITLE	COLD STORAGE ROOMS CEILING PANEL SUPPORT	132126-07
			REF.
			REV.